

PF-30 SERIES

Designed For High Pressure Open Applications - 100 PSI

FEATURES

- Available in flow rates of 15, 35, 65, 100, 140, 190 and 250 GPM.
- Positive filtration down to 10 micron (lower micron media available).
- Non-code carbon steel vessel rated at 100 psi with fusion bonded epoxy lining and polyester coating (optional higher pressure ratings and ASME code stamp available).
- Industrial grade brass 3-way ball valves and Sch. 80 PVC interconnecting piping (models PF-3036, PF-3042 and PF-3048 equipped with cast iron butterfly valves).
- Cast iron bronze fitted, close coupled end suction centrifugal pump, TEFC motor and cast iron pre-strainer with removable SST basket.
- Skid - fusion bonded polyester coated carbon steel.
- Automatic option includes: NEMA 4X control cabinet, door disconnect switch, motor short circuit/overload protection, electric actuator, step-down transformer, pressure differential switch, adjustable solid state timer and 24 hr. backwash clock.



APPLICATION

PUROFLUX's PF-30 series filtration systems are designed specifically to handle a wide variety of industrial water filtration applications. PF-30 permanent media filters use a silica sand media that easily backwashes for cleaning. The PF-30 filter provides an excellent method for removing dirt, precipitates and suspended solids.

TYPICAL APPLICATIONS INCLUDE:

- Cooling Towers
- Waste Water Discharge
- Pre-Filtration for Reverse Osmosis
- Secondary Water Treatment
- Pre-Filtration for Microfiltration
- Irrigation Systems
- Food Industries
- Aquatic Exhibits
- Fish Hatcheries

RELIABILITY

The PF-30 permanent media filters are designed to withstand the harshest environments and deliver long lasting reliability. PUROFLUX utilizes its extensive engineering background in process filtration and water treatment to provide simple, reliable systems that require minimum maintenance.

SERVICE

Technical field service representatives are available to provide guidance for application, installation and repair in both domestic and international markets.

AFFORDABILITY

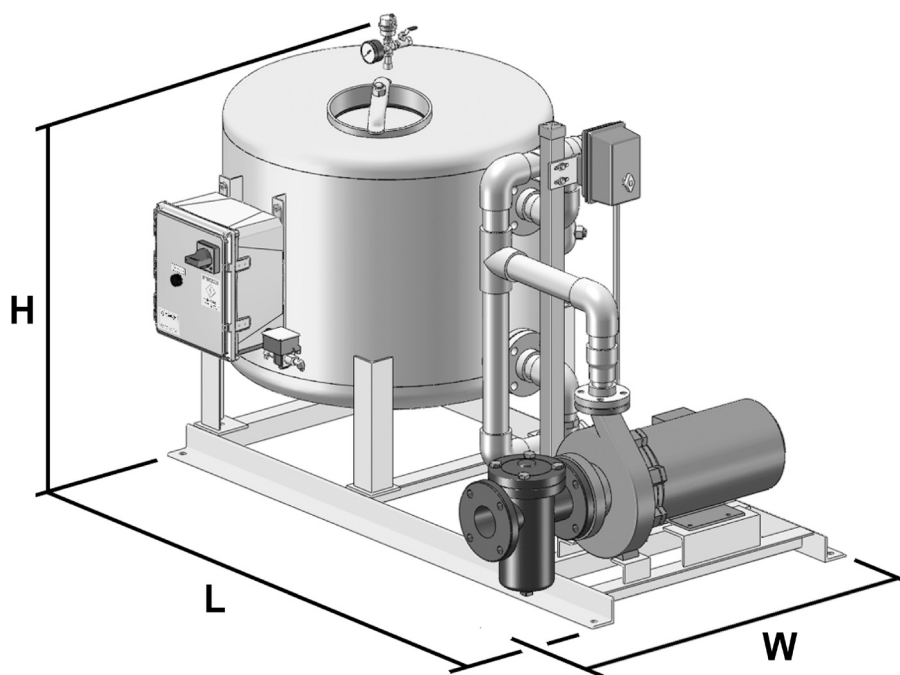
PUROFLUX's PF-30 permanent media filter is an affordable alternative to other comparable types of filtration, and with its low initial investment, offers a quick return on investment.

PF-30/05_10



誥鑫企業有限公司
ARITH COMPANY LTD.

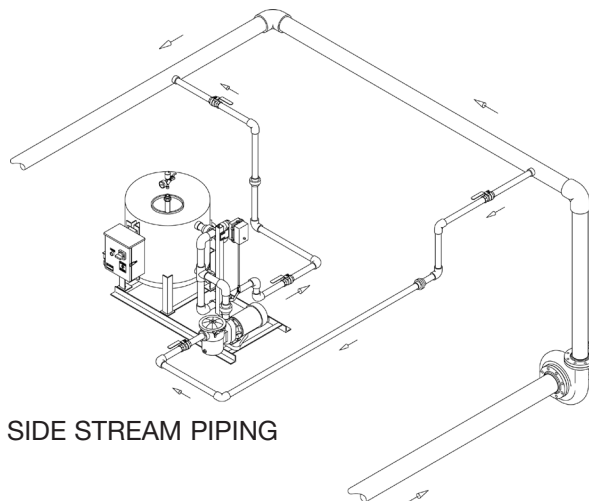
地址：台北市 105 復興北路 427 巷 30 號
電話：(02)2717-5038 (代表號)
傳真：(02)2717-5039
郵件：taipei@arith.com.tw
網址：www.arith.com.tw



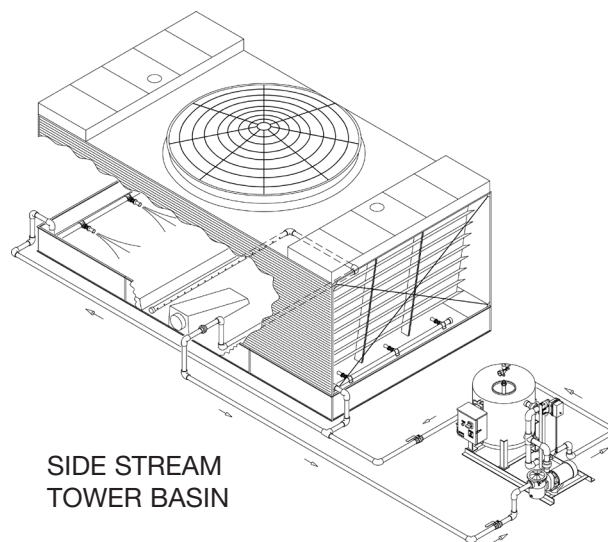
MODEL Number	FLOW RATE GPM	FILTRATION AREA Sq. Ft.	VALVE SIZE Inches	MOTOR HP	DIMENSIONS			WEIGHT, LBS	
					L	H	W	Shipping	Oper.
PF-3012	15	0.78	1.0	1.0	36"	41"	27"	400	450
PF-3018	35	1.77	1.5	1.5	42"	41"	32"	600	760
PF-3024	65	3.14	1.5	2.0	49"	42"	35"	930	1190
PF-3030	100	4.91	2.0	3.0	56"	43"	40"	1120	1470
PF-3036	140	7.10	2.5	5.0	66"	48"	48"	1750	2290
PF-3042	190	9.60	3.0	5.0	74"	50"	52"	2400	3110
PF-3048	250	12.60	4.0	5.0	Consult Factory				

* Dimensions are approximate.
 ** Shipping weight includes media.

TYPICAL INSTALLATION



SIDE STREAM PIPING



SIDE STREAM TOWER BASIN



誥鑫企業有限公司
ARITH COMPANY LTD.

地址：台北市 105 復興北路 427 巷 30 號
 電話：(02)2717-5038 (代表號)
 傳真：(02)2717-5039
 郵件：taipei@arith.com.tw
 網址：www.arith.com.tw