

PF-63 SERIES

150 PSI PACKAGE RECOVERY SYSTEM

FEATURES

- Available in flow rates from 50 to 1,200 GPM.
- Standard unit equipped with PF-61 series separator.
- Recovery vessel - 304 stainless steel construction, stainless steel support basket, 25 micron bag, swing type eye-bolt cover, pressure differential gauge, manual air relief valve, flow controller and isolation ball valves.
- Cast iron bronze fitted, close-coupled end suction centrifugal pump with TEFC motor.
- Cast iron pre-strainer with removable SST basket.
- Control Panel - NEMA 4X cabinet with door disconnect switch, motor short circuit/overload protection and pump HOA switch.
- Skid - fusion bonded polyester coated carbon steel.
- Sch. 80 PVC interconnecting piping.
- Options: Auto purge, dry contact alarm for recovery vessel, removable dome, 22 1/2" profile separator.



APPLICATION

PUROFLUX's PF-63 package recovery systems are designed specifically to remove dirt, sand, silt, precipitates, and suspended solids from process fluids. The PF-63 system utilizes a constant purge. Purge solids will be captured by the recovery vessel and clean fluid returned to the system inlet, eliminating liquid loss. The PF-63 recovery systems will remove unwanted contaminants resulting in increased system efficiency and decreased operating costs.

TYPICAL APPLICATIONS INCLUDE:

- | | | |
|----------------------|-------------------------|------------------------|
| • Cooling Towers | • Well Water | • Industrial Processes |
| • Food Industries | • Waste Water Discharge | • Automotive Processes |
| • Aquatic Exhibits | • Potable Water | • Chemical Processes |
| • Irrigation Systems | • Fish Hatcheries | • Car Washes |

RELIABILITY

The PF-63 package systems are designed to withstand the harshest environments and deliver long lasting reliability. Puroflux utilizes its extensive engineering background in process filtration / separation to provide simple, reliable systems that require minimal maintenance.

SERVICE

Technical field service representatives are available to provide guidance for application, installation and repair in both domestic and international markets.

AFFORDABILITY

PUROFLUX's PF-63 package recovery system is an affordable alternative to other comparable types of filtration, and with its low initial investment, offers a quick return on investment.

PF-63/01_10



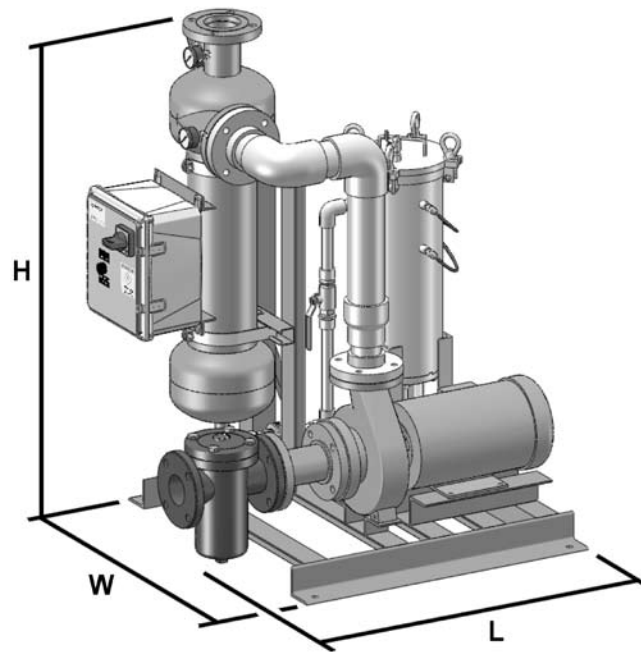
誥鑫企業有限公司
ARITH COMPANY LTD.

地址：台北市 105 復興北路 427 巷 30 號
電話：(02)2717-5038 (代表號)
傳真：(02)2717-5039
郵件：taipei@arith.com.tw
網址：www.arith.com.tw



CORPORATION
FILTRATION AND CONTROL SYSTEMS

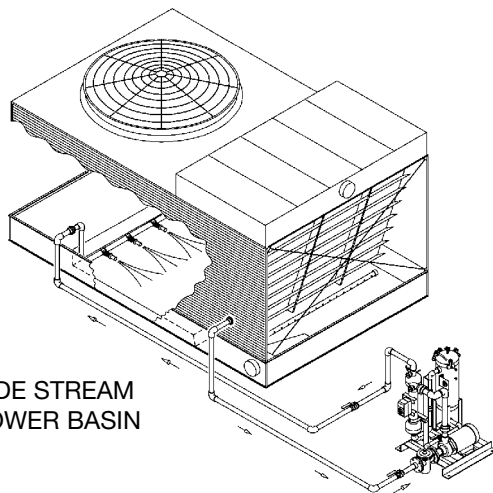
PF-63 SERIES - 150 PSI PACKAGE RECOVERY SYSTEM



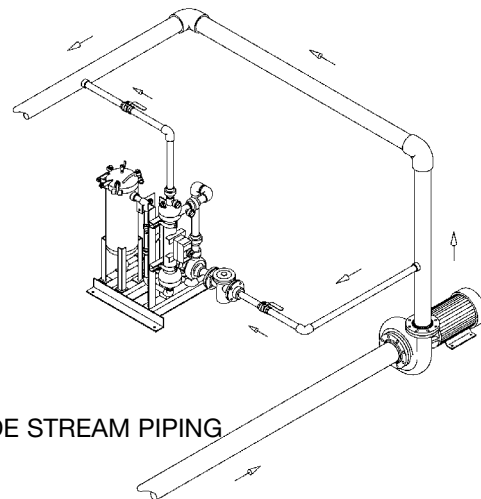
| MODEL | FLOW RATE | MOTOR | CONNECTION | | VOLUME | DIMENSIONS | | | WEIGHT, LBS | |
|------------|-----------|-------|------------|-----------|---------|------------|-----|-----|-------------|-------|
| | | | Inlet | Outlet | | L | H | W | Shipping | Oper. |
| Number | GPM | HP | | | Gallons | | | | | |
| PF-63-012 | 50 | 2 | 2" flng | 1.25" mpt | 8 | 35" | 42" | 28" | 370 | 438 |
| PF-63-015 | 80 | 3 | 2" flng | 1.5" mpt | 8 | 35" | 42" | 28" | 372 | 440 |
| PF-63-020 | 110 | 5 | 3" flng | 2" mpt | 13 | 41" | 50" | 34" | 530 | 640 |
| PF-63-025 | 160 | 5 | 3" flng | 2.5" mpt | 14 | 41" | 50" | 34" | 640 | 752 |
| PF-63-030 | 220 | 7.5 | 3" flng | 3" flng | 15 | 41" | 51" | 34" | 689 | 809 |
| PF-63-040A | 330 | 10 | 4" flng | 4" flng | 26 | 56" | 63" | 36" | 850 | 1067 |
| PF-63-040B | 400 | 10 | 4" flng | 4" flng | 26 | 56" | 63" | 36" | 970 | 1198 |
| PF-63-050 | 600 | 15 | 6" flng | 5" flng | 36 | 61" | 75" | 42" | 1350 | 1822 |
| PF-63-060A | 900 | 20 | 6" flng | 6" flng | 53 | 61" | 88" | 46" | 1757 | 2197 |
| PF-63-060B | 1200 | 25 | 8" flng | 6" flng | 53 | 67" | 88" | 46" | 1873 | 2317 |

Consult factory for higher flow rate packages.

TYPICAL INSTALLATION



SIDE STREAM
TOWER BASIN



SIDE STREAM PIPING



誥鑫企業有限公司
ARITH COMPANY LTD.

地址：台北市 105 復興北路 427 巷 30 號
電話：(02)2717-5038 (代表號)
傳真：(02)2717-5039
郵件：taipei@arith.com.tw
網址：www.arith.com.tw



PUROFLUX

CORPORATION
FILTRATION AND CONTROL SYSTEMS