



# PF-64H SERIES

## HIGH HEAD PUMP PACKAGE SYSTEM (150 PSI)

### FEATURES

- Designed for applications requiring higher pump head (100' nominal) such as basin sweeper installations or non-chemical water treatment equipment.
- Available in flow rates from 50 to 1,200 GPM.
- Standard unit equipped with PF-61 series separator.
- Cast iron bronze fitted, close-coupled end suction centrifugal pump with TEFC motor.
- Cast iron pre-strainer with removable SST basket.
- Control Panel - NEMA 4X cabinet with door disconnect switch, motor short circuit/overload protection, adjustable purge timer, purge and pump HOA switches.
- Skid - fusion bonded polyester coated carbon steel.
- Sch. 80 PVC interconnecting piping.
- Automatic purge complete with electrically actuated industrial grade ball valve.
- Options: Manual purge, removable dome, 22 1/2" profile separator.



### APPLICATION

PUROFLUX's PF-64H high head pump package systems are designed specifically to remove dirt, sand, silt, precipitates, and suspended solids from process fluids.

### TYPICAL APPLICATIONS INCLUDE:

- |                      |                         |                        |
|----------------------|-------------------------|------------------------|
| • Cooling Towers     | • Well Water            | • Industrial Processes |
| • Food Industries    | • Waste Water Discharge | • Automotive Processes |
| • Aquatic Exhibits   | • Potable Water         | • Chemical Processes   |
| • Irrigation Systems | • Fish Hatcheries       | • Car Washes           |

### RELIABILITY

The PF-64H package systems are designed to withstand the harshest environments and deliver long lasting reliability. Puroflux utilizes its extensive engineering background in process filtration / separation to provide simple, reliable systems that require minimal maintenance.

### SERVICE

Technical field service representatives are available to provide guidance for application, installation and repair in both domestic and international markets.

### AFFORDABILITY

PUROFLUX's PF-64H pump package system is an affordable alternative to other comparable types of filtration, and with its low initial investment, offers a quick return on investment.

PF-64H-12\_12



**誥鑫企業有限公司**  
**ARITH COMPANY LTD.**

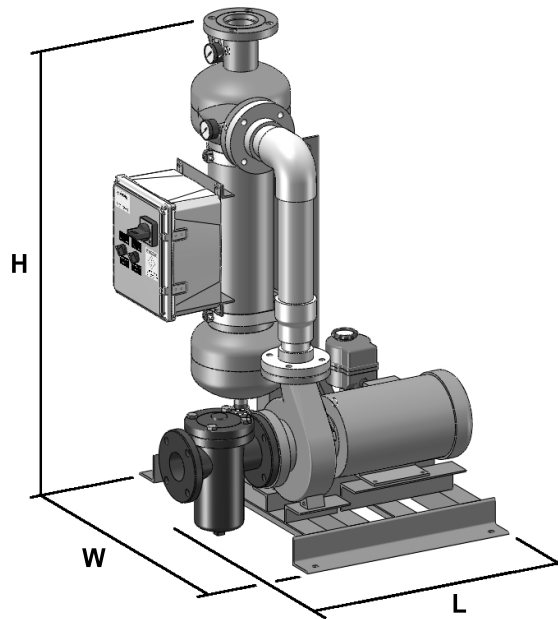
地址：台北市 105 復興北路 427 巷 30 號  
電話：(02)2717-5038 (代表號)  
傳真：(02)2717-5039  
郵件：taipei@arith.com.tw  
網址：www.arith.com.tw



**PUROFLUX**

**CORPORATION**  
**FILTRATION AND CONTROL SYSTEMS**

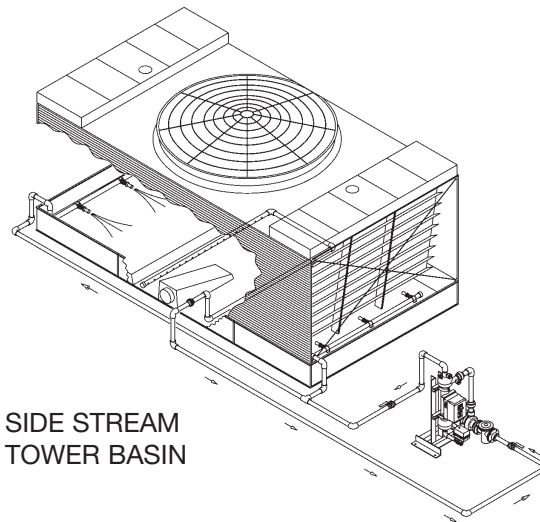
## PF-64H SERIES - High Head Pump Package System (150 PSI)



MODEL	FLOW RATE	MOTOR	CONNECTION		PURGE	VOLUME	DIMENSIONS			WEIGHT, LBS	
			Inlet	Outlet			Size	Gallons	L	H	W
PF-64H-012	50	5	2" flng	1.25" mpt	1" fpt	2	40"	42"	30"	377	393
PF-64H-015	80	5	2" flng	1.5" mpt	1" fpt	2	40"	42"	30"	379	395
PF-64H-020	110	7.5	3" flng	2" mpt	1" fpt	7	34"	50"	41"	394	451
PF-64H-025	160	7.5	3" flng	2.5" mpt	1" fpt	8	40"	50"	34"	561	622
PF-64H-030	220	10	3" flng	3" flng	1" fpt	8	40"	51"	36"	592	658
PF-64H-040A	330	15	4" flng	4" flng	1.5" fpt	15	45"	63"	36"	885	1011
PF-64H-040B	400	15	4" flng	4" flng	1.5" fpt	15	45"	63"	36"	945	1072
PF-64H-050	600	20	6" flng	5" flng	1.5" fpt	24	66"	75"	42"	1111	1311
PF-64H-060A	900	30	6" flng	6" flng	1.5" fpt	40	57"	88"	46"	1531	1863
PF-64H-060B	1200	40	8" flng	6" flng	1.5" fpt	40	59"	88"	46"	1963	2295

Consult factory for higher flow rate packages.

### TYPICAL INSTALLATION



SIDE STREAM  
TOWER BASIN



**誥鑫企業有限公司**  
**ARITH COMPANY LTD.**

地址：台北市 105 復興北路 427 巷 30 號  
電話：(02)2717-5038 (代表號)  
傳真：(02)2717-5039  
郵件：taipei@arith.com.tw  
網址：www.arith.com.tw



**PUROFLUX**

**CORPORATION**  
**FILTRATION AND CONTROL SYSTEMS**